

100% Corrosion-Free Stainless Steel

Easy Access/Quick Cleanup

Comet's E Series corrosion free, stainless steel hopper loader is designed to provide rapid transportation of free-flowing, virgin pellets and regrind directly to your injection molding machine. The hinged vacuum head ensures quick cleanup time and easy maintenance.

The integral single-phase suction motor creates a flow of air that carries the plastic pellets into the hopper through the material line for a pre-selected time. The pellets are then discharged directly into the processing machine hopper. This cycle is repeated until both the machine hopper and the hopper loader are full.

Reliable Performance

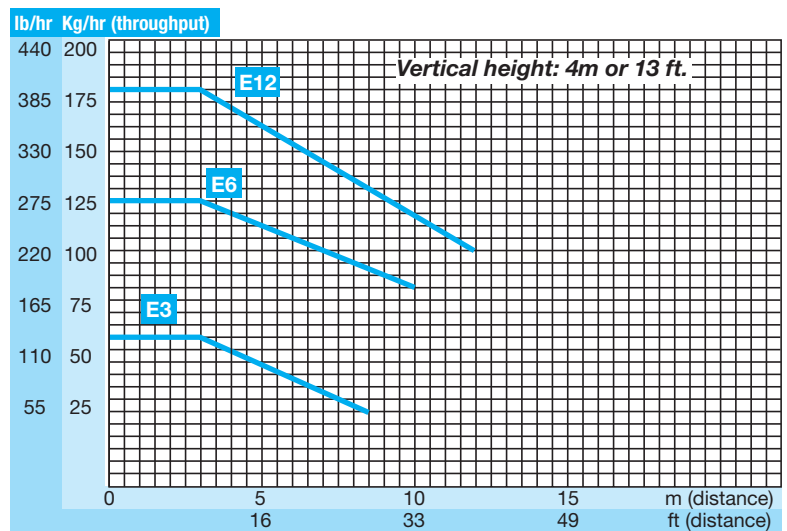
All units have a microprocessor control with a digital mode selection for setting and displaying loading time, loading functions, line clearing, and empty time. Fault diagnosis is provided as a standard feature of the control. All models are built to the highest standards from quality stainless steel providing consistent, reliable performance.

Standard Features

- Stainless steel construction increases loader life
- Fabric vacuum filter with stainless mesh backing for easy cleaning
- Low noise vacuum head with sound insulation
- Mechanical flap with low-level switch
- Audio alarm
- Electrical control and loader head come prepared for future centralized system expansion
- Electrical circuit built to comply with CE and NFPA 79 safety requirements
- 115V single phase
- Self-cleaning filter



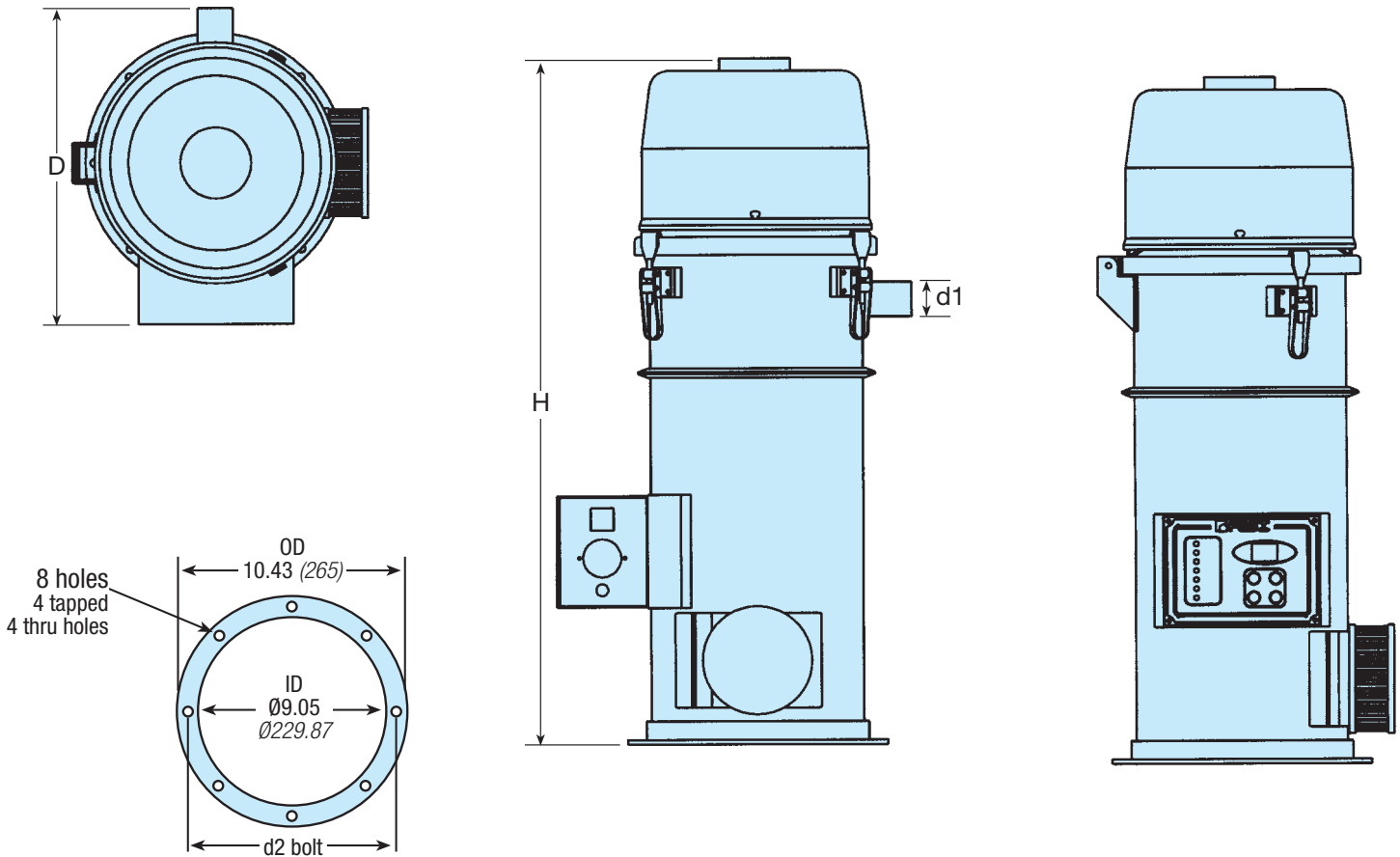
Capacities



Options

- Material line cleaning valve and suction box
- Two-component proportioning valve
- 220V single phase

100% Corrosion-Free Stainless Steel



Specifications

E-Series Loaders		E3	E6	E12
Hopper Capacity	liter	3	6	12
Motor HP	HP	1.4	1.4	1.4
Throughput (max.)	lbs/hr	200	400	800
	kg/hr	90	180	270
d1 – Loader Inlet Diameter	in mm	1.5 38	1.5 38	1.5 38
d2 – Bolt Hole Pattern (4 slots)	in	8.4	10.4	10.4
	mm	214	265	265
Depth (D)	in	13.1	13.7	13.7
	mm	334	347	347
Overall Height (H)	in	19.7	24.4	29.7
	mm	500	620	755
Weight (approx.)	lbs	26	28	33
	kg	12	13	15

Specifications and dimensions are subject to change without notice.

Scan this QR code with your mobile device to see our complete line of auxiliary products.



COMET

PLASTIC EQUIPMENT, LLC

6555 Garden Rd. Unit 16
Riviera Beach FL 33404

800-328-5088

Fax: (937) 296-9069

cometpe.com